

IS 3360

PF - surface, rd.
EAN 4007841 033477
Article number 033477



infrared sensor
360°



max. 20 m

2000 W

max. 2000 W



IP54



2 - 1000 lux



5 sec - 15 min



manual override



ideal 2,5 - 4 m

Teach

Teach mode



energy saving

Function description

Higher, further, faster. Infrared motion detector IS 3360 for indoors and out, ideal for watching over high spaces and large areas, such as multi-storey and underground car parks, installation height up to 4 m, 360° angle of coverage, reach 20 m max. (tangential), large terminal compartment for easy installation, heavy-duty relay for high switching capacity. Available either in round or square surface-mounted and concealed version.

Technical specifications

| | | | |
|-------------------------|--|---|--|
| Dimensions (Ø x H) | 126 x 65 mm | Capacitive load in µF | 176 µF |
| With motion detector | Yes | Technology, sensors | passive infrared, Light sensor |
| Manufacturer's Warranty | 5 years | Mounting height | 2,50 – 4,00 m |
| Settings via | Remote control, Potentiometers, Smart Remote | Mounting height max. | 4,00 m |
| With remote control | No | Optimum mounting height | 2,8 m |
| Version | PF - surface, rd. | Detection angle | 360 ° |
| PU1, EAN | 4007841033477 | Angle of aperture | 180 ° |
| Type | Motion and Presence Detector | Sneak-by guard | Yes |
| Application, place | Outdoors, Indoors | Capability of masking out individual segments | Yes |
| Application, room | production facilities, recreation room, changing room, function room / ancillary room, sports hall, reception / lobby, stairwell, WC / washroom, multi-storey / underground car park, outdoors, warehouse, Indoors | Electronic scalability | No |
| Colour | white | Mechanical scalability | No |
| Colour, RAL | 9003 | Reach, radial | Ø 8 m (50 m ²) |
| | | Reach, tangential | Ø 40 m (1257 m ²) |
| | | Reach, presence | Ø 3 m (7 m ²) |
| | | Switching zones | 1416 switching zones |
| | | Functions | Normal / test mode, Manual ON / ON-OFF |

IS 3360

PF - surface, rd.
 EAN 4007841 033477
 Article number 033477



Technical specifications

| | |
|---|--------------------------|
| Includes corner wall mount | No |
| Installation site | ceiling |
| Installation | Surface wiring, Ceiling |
| IP-rating | IP54 |
| Ambient temperature | from -20 up to 50 °C |
| Material | Plastic |
| Mains power supply | 220 – 240 V / 50 – 60 Hz |
| Fluorescent lamps, electronic ballast | 1500 W |
| Fluorescent lamps, uncorrected | 1000 VA |
| Fluorescent lamps, series-corrected | 400 VA |
| Fluorescent lamps, parallel-corrected | 400 VA |
| Switching output 1, low-voltage halogen lamps | 2000 VA |
| LED lamps < 2 W | 100 W |
| LED lamps > 2 W < 8 W | 300 W |
| LED lamps > 8 W | 600 W |

| | |
|----------------------------|------------------------------|
| Twilight setting | 2 – 1000 lx |
| Time setting | 5 s – 15 Min. |
| Basic light level function | No |
| Main light adjustable | No |
| Twilight setting TEACH | Yes |
| Constant-lighting control | No |
| Interconnection | Yes |
| Type of interconnection | Master/master |
| Interconnection via | Cable |
| Product category | Motion and Presence Detector |

Accessories

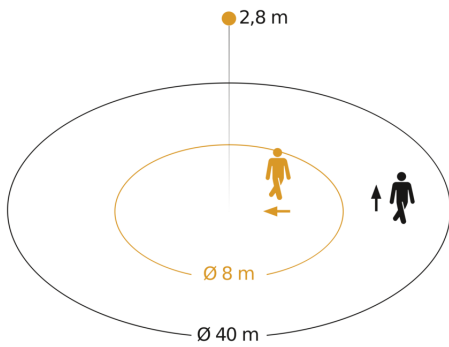
| | |
|--------------------|-----------------------------|
| EAN 4007841 009151 | Remote control Smart Remote |
| EAN 4007841 559410 | Service remote control RC8 |
| EAN 4007841 056735 | Black cover for IR-sensors |

IS 3360

PF - surface, rd.
 EAN 4007841 033477
 Article number 033477

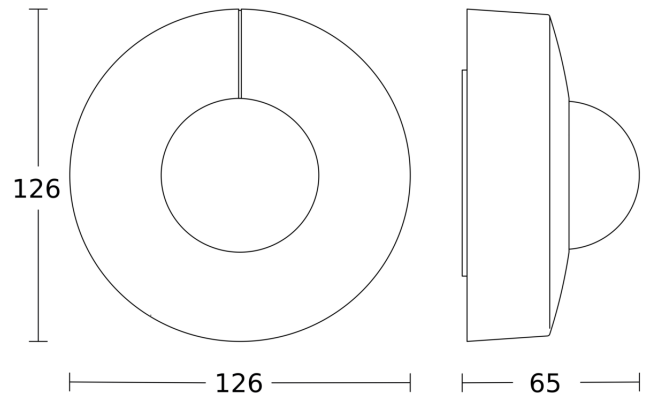


Detection Zone



Possible mounting height: 2,50 m - 4,00 m
 Orange: radial
 Black: tangential

Dimension Drawing



Master circuit diagram

